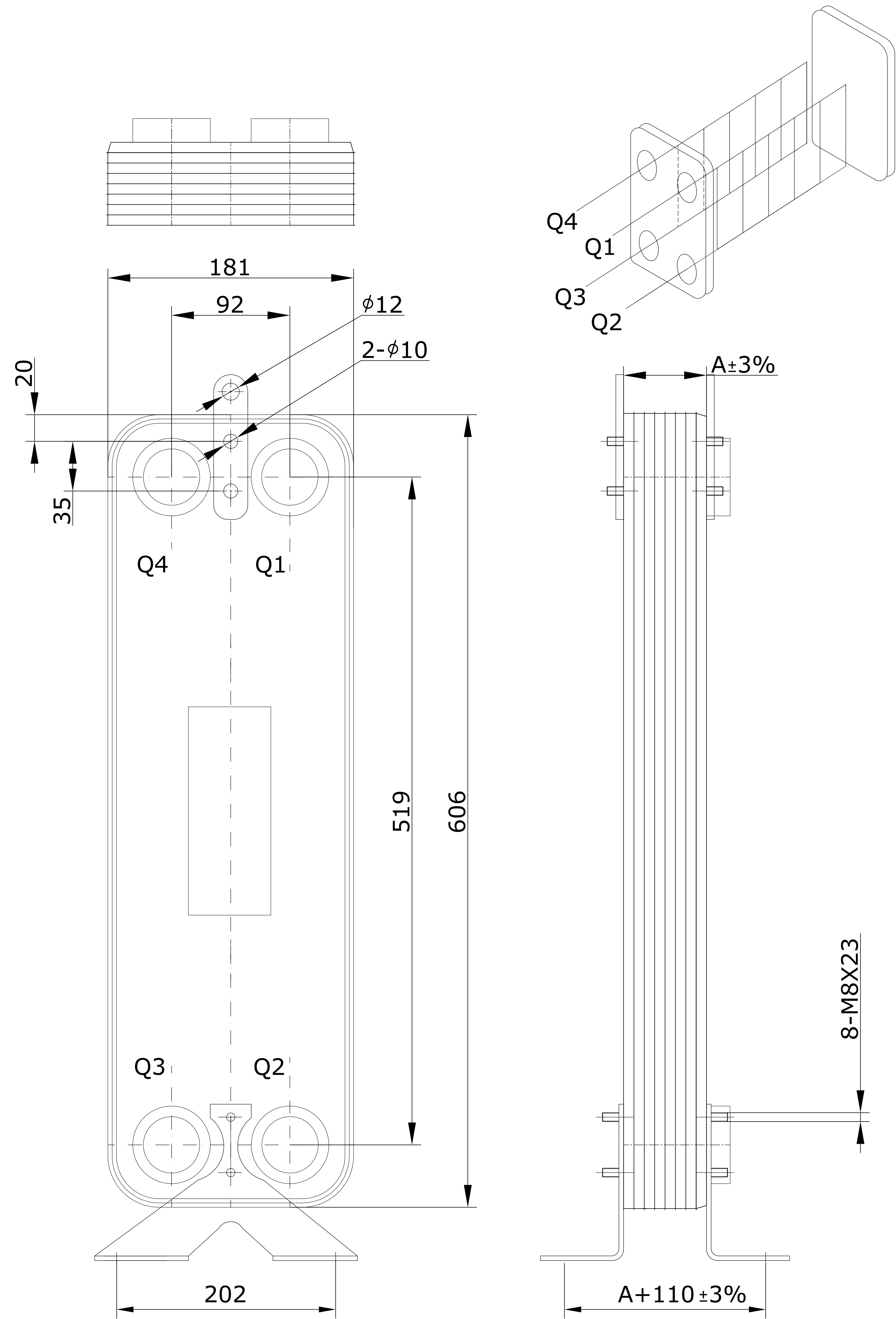
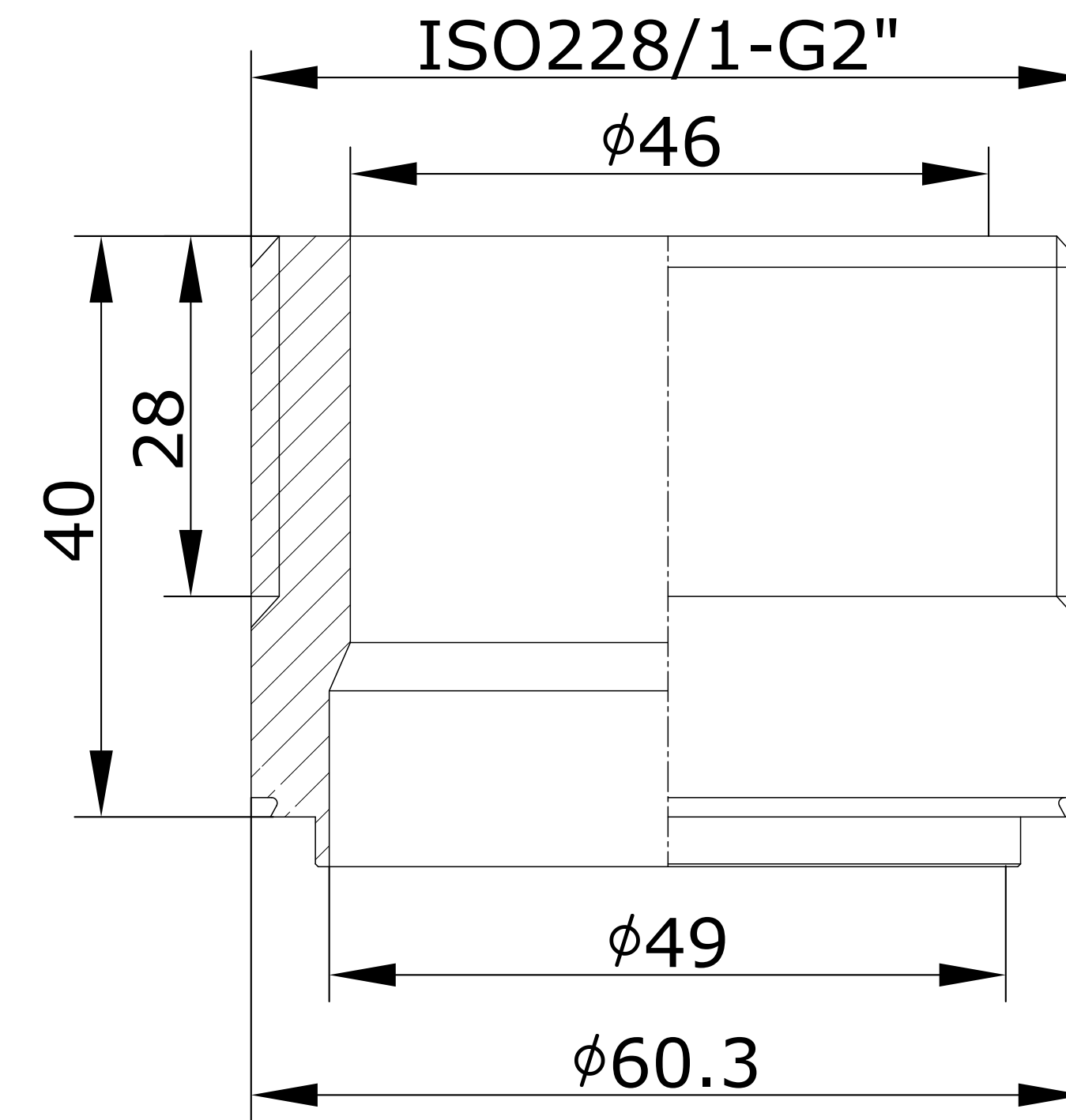


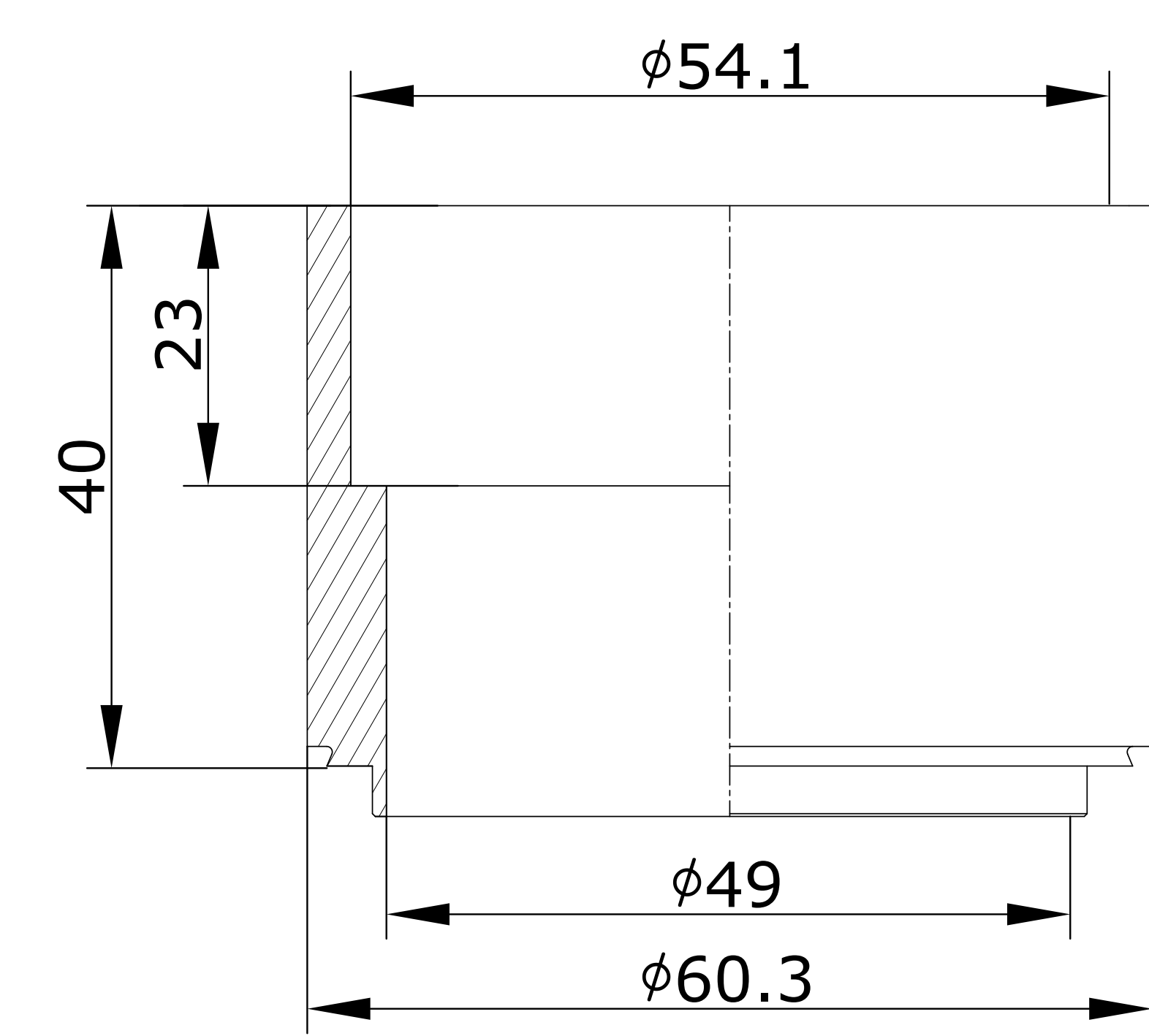
CONTROLLED



Q1-Q2
L2"(W520)
Thread connection



Q3-Q4
H2"1/8(H5212)
Solder connection



ID	RIDAN Code	Drawing No.	Model	Plates(n)	A	Weight	Volumn
1	111B0460R	23020368-01	095B	100	294	43.248Kg	Q1Q2:12.50L/Q3Q4:12.25L
2	111B0461R	23020368-02	095B	140	406	57.808Kg	Q1Q2:17.50L/Q3Q4:17.25L
3	111B0462R	23020368-03	095B	160	462	65.088Kg	Q1Q2:20.00L/Q3Q4:19.75L

DESIGN DATA	
DESIGN PRESSURE	3.0MPa
TEST PRESSURE	4.5MPa
DESIGN TEMPERATURE	-196/+225
LEAKAGE TEST	Helium Test
PLATE MATERIAL	316L
PIPE MATERIAL	304
FRAME MATERIAL	304

Assembly drawing	DEPARTMENT	Sales Department	DATE	SCALE			
	DESIGNER	JLN	2024/10/17				
	INSPECTOR	ZJF				DESIGNATION: RD-095B-n-3,0-H-Q1Q2(L2")/ Q3Q4(H2"1/8)/4- M8*23	
	APPROVAL				DRAWING NO.		23020368